

Tigrip® Load Hoisting Tackle Grabs & Clamps



TBP
Non-marring grab

Capacity 500 - 1500 kg

The TBP non-marring grab is suitable for lifting, turning and transporting of plates with a sensitive surface without leaving behind indentations.

It can be used for aluminium and stainless steel plate or those with an extremely hard surface.

INFO

The surface of the plate must be free of oil, grease or any other liquid to ensure safe transport.

The min. load is 10% of the nominal WLL!

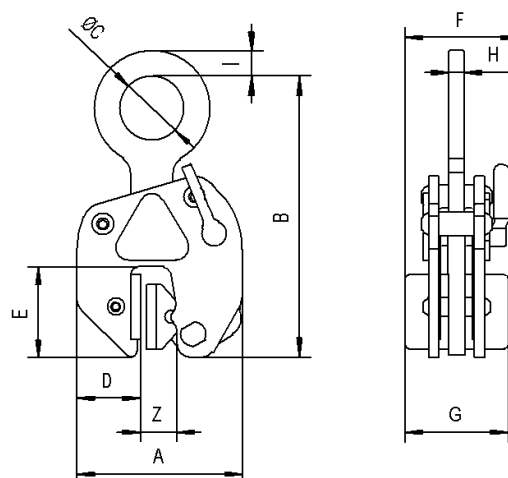
Temperature range from -20 °C up to +60 °C

Technical data TBP

| Model | Art.-No. | Capacity kg | Jaw capacity Z mm | Weight kg |
|---------|-----------|-------------|-------------------|-----------|
| TBP 0,5 | N51502419 | 500 | 0 - 10 | 3.0 |
| TBP 1,5 | N51502420 | 1500 | 0 - 20 | 12.6 |

Dimensions TBP

| Model | TBP 0,5 | TBP 1,5 |
|---------|---------|---------|
| A, mm | 127 | 215 |
| B, mm | 200 | 345 |
| D, mm | 52 | 75 |
| E, mm | 69 | 135 |
| F, mm | 87 | 131 |
| G, mm | 76 | 118 |
| H, mm | 13 | 20 |
| I, mm | 20 | 24 |
| Ø C, mm | 55 | 85 |



Tigrip[®] Load Hoisting Tackle Grabs & Clamps

TSB
Non-marring grab with chain

Capacity 750 - 1250 kg

The TSB grab has parallel-facing jaws that equally distribute the clamping pressure over a relatively large surface area. This makes the grab attractive for plate material with sensitive surfaces. The protective lining "Bremsit" offers an outstanding friction coefficient, thereby enhancing the grip of the jaws. This lining can be easily replaced when worn.

Similar to the universal grab, this grab has a large jaw capacity and the security of a safety lock device with a hold-open/hold-closed feature.



INFO

The surface of the plate must be free of oil, grease or any other liquid to ensure safe transport.

The min. load is 10% of the nominal WLL!

Temperature range from -20 °C up to +60 °C

Technical data TSB

| Model | Art.-No. | Capacity kg | Jaw capacity Z mm | Weight kg |
|-------------|-----------|-------------|-------------------|-----------|
| TSB 0,75/65 | N51202202 | 750 | 0 - 65 | 11.8 |
| TSB 1,25/65 | N51202203 | 1250 | 0 - 65 | 16.7 |

Dimensions TSB

| Model | TSB 0,75/65 | TSB 1,25/65 |
|-------|-------------|-------------|
| A, mm | 272 | 330 |
| B, mm | 260 | 280 |
| C, mm | 128 | 128 |
| D, mm | 100 | 100 |
| E, mm | 79 | 90 |
| F, mm | 78 | 90 |

